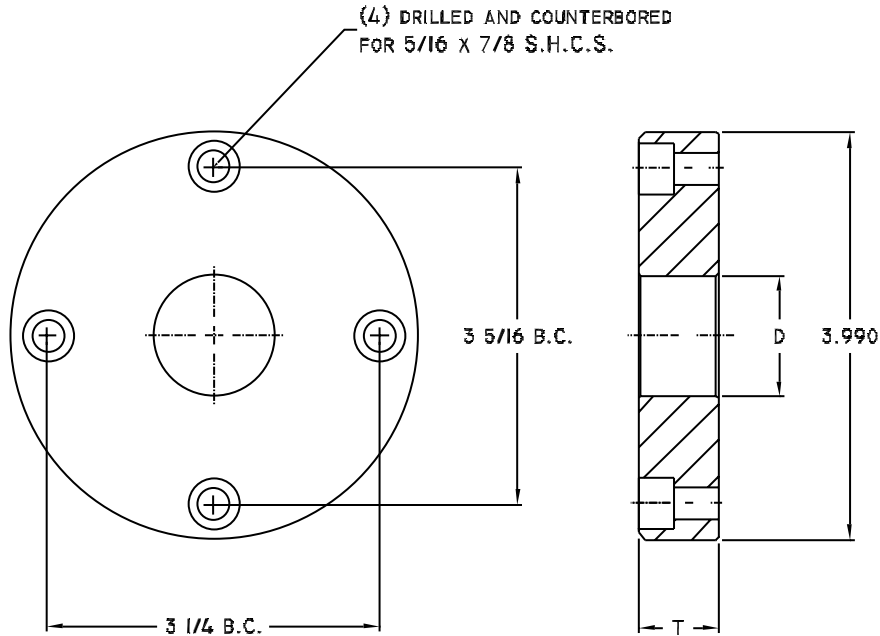


# A60-SERIES

## Locating Ring

NATIONAL has incorporated two sets of mounting holes into their locating rings to make them completely interchangeable with all manufactured mold sets  
Two 5/16-18 x 7/8 S.H.C.S. Are Included Standard



### Locating Ring Selection Chart Single Drop Application

Hot Bushing Body Dia.	Hot Bushing "D6" Dia.	Hot Bushing "C" Dia.	Locating Ring "D" Dia.	Locating Ring "T"	Locating Ring Catalog Number
13	0.843 (21)	0.984 (25) 0.984 (25)	0.844 (21) 0.844 (21)	0.781 (20) 1.250 (32)	A6508 A6512
16	0.984 (25)	1.181 (30) 1.181 (30) 1.500 1.500	1.023 (26) 1.023 (26) 1.343 1.343	0.781 (20) 1.250 (32) 0.781 (20) 1.250 (32)	A6008 A6012 A6108 A6112
19	1.378 (35)	1.575 (40) 1.575 (40) 2.156 2.156	1.375 (35) 1.375 (35) 1.937 1.937	0.781 (20) 1.250 (32) 0.781 (20) 1.250 (32)	A6108 A6112 A6208 A6212
22	1.772 (45)	1.969 (50) 1.969 (50)	1.750 (45) 1.750 (45)	0.781 (20) 1.250 (32)	A6308 A6312
25	25	2.000 2.000	1.750 1.750	0.781 (20) 1.250 (32)	A6308 A6312
32	2.165 (55)	2.441 (62) 2.441 (62)	2.187 (56) 2.187 (56)	0.781 (20) 1.250 (32)	A6408 A6412